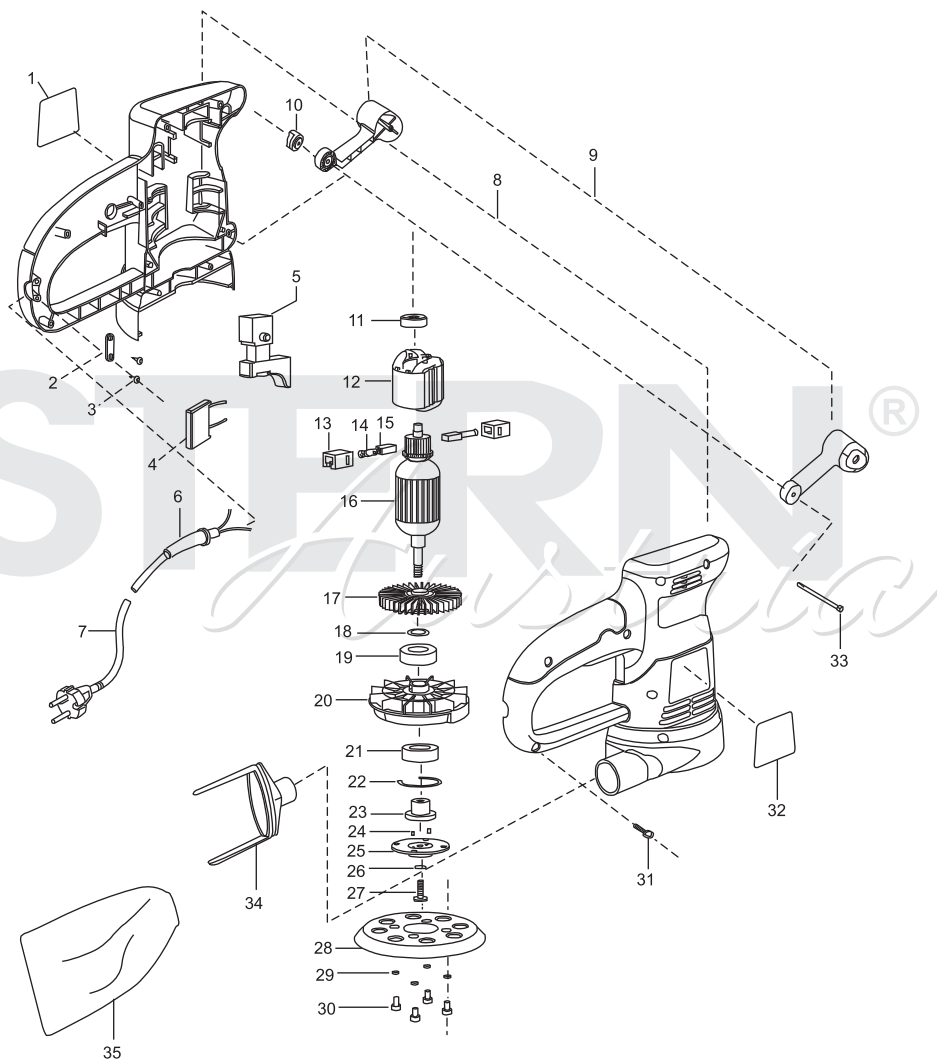


# STERN® *Austria*

## ROTARY SANDER RS125



# STERN® ROTARY SANDER *Austria* RS125

NO.	DESCRIPTION	NO.	DESCRIPTION
1	TRADE MARK	19	BEARING 629Z
2	CORD ANCHORAGE	20	BALANCE PLATE
3	SCREW	21	BEARING 6002Z
4	CAPACITOR	22	CLAMPING SPACER
5	SWITCH	23	CONNECTING PIECE
6	CORD SLEEVE	24	CONNECTING PIN
7	CORD & PLUG	25	BASE CONNECTOR
8	CABINET	26	WASHER
9	HANDLE	27	SCREW
10	KNOB	28	BASE PLATE
11	BEARING 627Z	29	WASHER
12	STATOR	30	SCREW
13	CARBON BRUSH'S CASE	31	SCREW
14	SPRING	32	TRADE MARK
15	CARBON BRUSH	33	SCREW
16	ARMATURE	34	BAG'S TRESTLE
17	FAN	35	DUST EXTRACTION BAG
18	SPACER		